

**access**   
business development division

Flow2 Stairlift

**FOR STRAIGHT AND CURVED STAIRCASES**



Access. Everywhere. For Everyone.

# Flow2 Stairlift

## FOR STRAIGHT AND CURVED STAIRCASES

The award-winning Flow2 stairlift can be truly considered one of the world's leading stairlifts. The Flow2 is fitted onto your staircase and not your wall allowing the lift to be installed quickly, easily and with minimal disruption to your home.

Manufactured using the very latest technology, the Flow2 can be installed on nearly any type of staircase. The automatic swivel and levelling technology (ASL) allows the Flow2 to be fitted on staircases as narrow as 610 mm. This feature, unique to the Flow2, enables your stairlift to turn while in motion, making it one of the most adaptable stairlifts in the world.



### 1 It's all about you

Designed with you in mind, the Flow2 has an ergonomically-shaped seat which provides you with an enjoyable and comfortable ride. The Flow2 is available in a number of finishes and colour options that allow you to match it to the style of your home. Choose from fabric, vinyl and leather seat covers and a range of different rail colours.

### 2 Compact and Discreet

When not in use the Flow2 is folded away to only 340 mm on any landing, out of the way of other staircase users. The Flow2 has a single discreet rail that closely follows the line of your stairs and can be fitted on either side of your staircase.

### 3 Safety

Your safety is of paramount importance to us. The Flow2 stairlift is certified to machine directive 2006/42/EG and BS EN 81-40. The seat is adjusted in height so you can get on and off safely at the top or bottom landing. During travel the seat belt and optional wrap-around armrests keep you secure on the stairlift. If the Flow2 encounters an obstacle during travel, it will safely come to a stop. The stairlift is battery operated, which means you can still use it during a power cut.





The Flow2 single rail stairlift is the market leader when it comes to curved stairlifts and is the smartest lift of its type.



I'm really pleased and very happy with the style of my Flow2 stairlift. I'm over the moon that I don't have to walk up and down the stairs anymore, I'm over the moon with the whole thing."



1



3



2



# ASL

## ADVANCED SWIVEL AND LEVELLING TECHNOLOGY

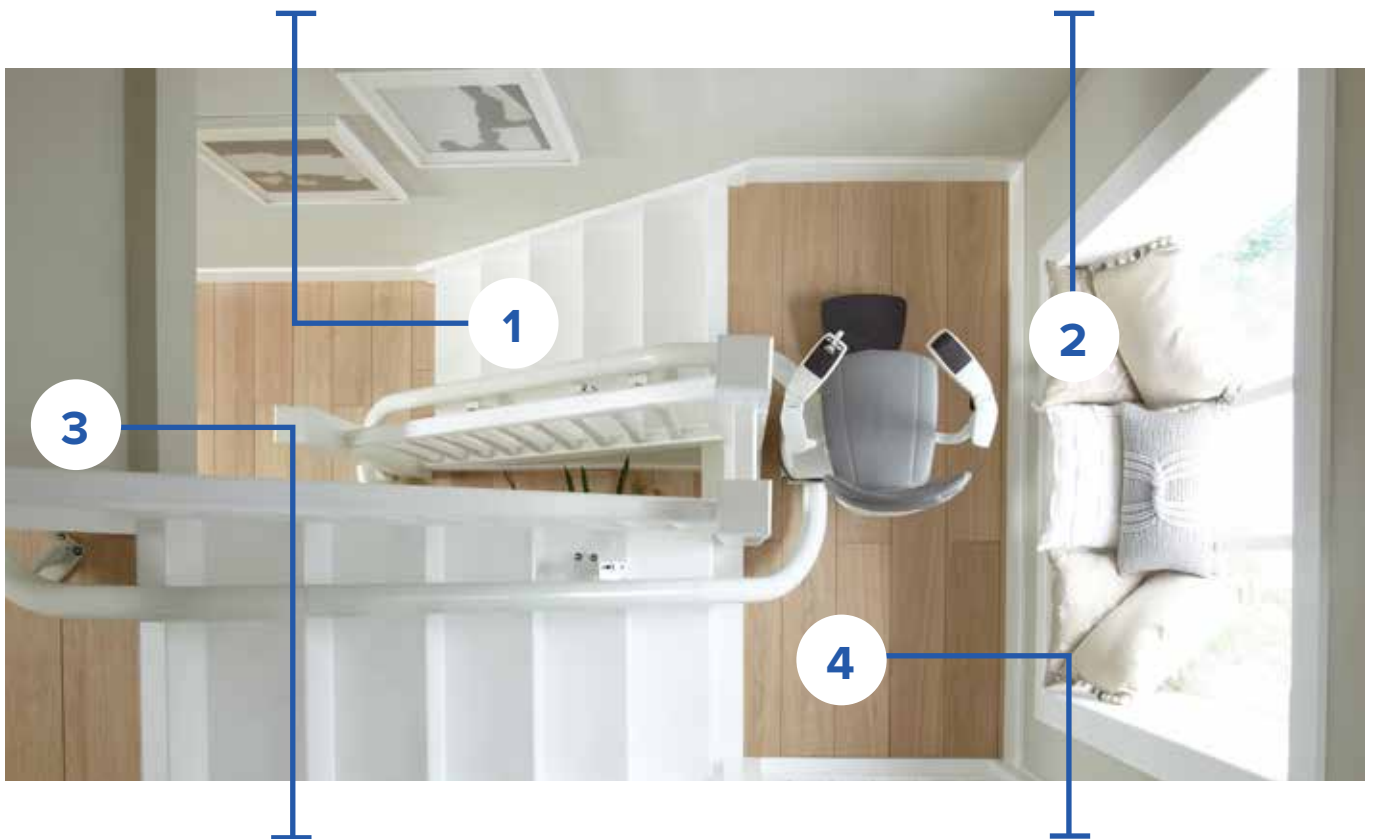
ASL technology enables the Flow2 stairlift to rotate and stay perfectly level while in motion. By rotating during travel, you're always in the safest and most comfortable position.

### The seat is always in the correct position to get on and off safely

The Flow2 swivels as it travels, this means that getting on and off the lift at either end of the staircase is quick and easy. At the top of the staircase the seat can rotate away from the open staircase, allowing a safe exit from the seat.

### Constantly working to save you time and provide safety and comfort

ASL technology operates while the lift is moving. Therefore you avoid additional stops and swivel movements at the beginning, during and at the end of the ride. This saves time and provides additional safety and comfort. The lift really moves in one "Flow".



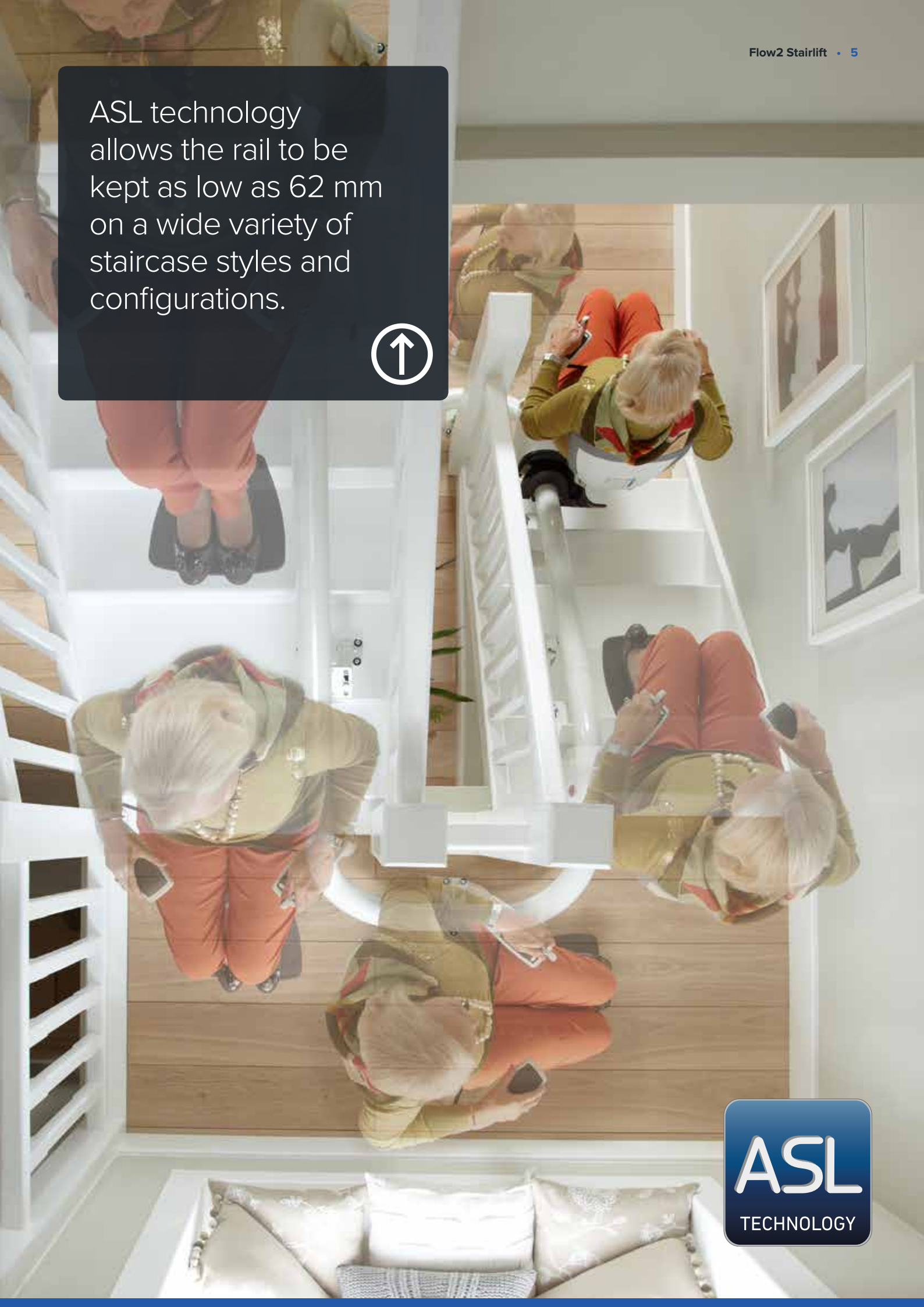
### Internal or external rail on the narrowest and steepest stairs

Even in cases where the staircase is narrow and steep, the Flow2 can be installed closer to the step and on either side of the staircase. Your stairlift will be less obtrusive and your staircase remains accessible for other family members in your home.

### Unique technology that can only be found with the Flow2

Your well-being is important to us – when you choose ASL technology the footrest swivels with the seat ensuring your legs and feet remain in a natural and comfortable position, relieving any additional strain on your joints.

ASL technology allows the rail to be kept as low as 62 mm on a wide variety of staircase styles and configurations.



# Options

## IT'S ALL ABOUT YOU

When you choose the Flow2 stairlift, you ensure the best fit for your staircase. With a single discreet rail, this stairlift can be tailor-made to fit any staircase.

### Rail



#### Standard Drop Nose

The standard drop nose is the perfect solution if there is an obstruction such as a door near to the bottom of the stairs. The drop nose requires just 175 mm of space from the bottom step.



#### Vertical 'Short-Start' Drop Nose

Where space is even tighter at the bottom the 'short-start' drop nose can be installed, needing only 100 mm of space from the bottom step.



#### Horizontal Overrun

Where you have extra space at the bottom of the stairs the horizontal overrun allows the chair to be parked away from the bottom step.



#### Parking Curve

A parking curve allows the chair to be parked neatly out of the way of the stairs.

### Colour



Grey



White/Grey



Beige/Brown



Brown/Grey

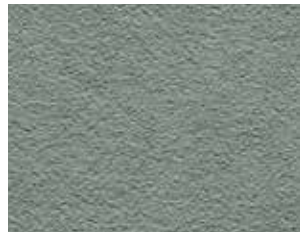
Custom RAL colour also available.

## Upholstery

### Vinyl:



Red



Grey



Maroon



Sisal

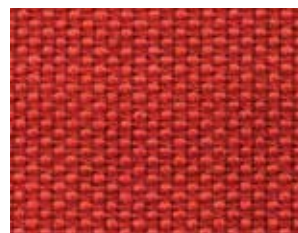
### Fabric:



Dark Brown



Beige



Red

### Elegant Leather:



Aubergine-Beige



Beige-Grey



Brown-Beige



Brown-Cognac



Brown-Grey

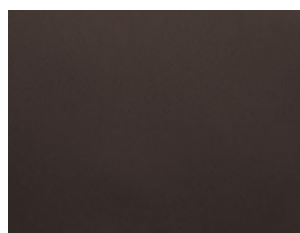


Red-Beige

### Deluxe Leather:



Beige



Dark Brown



Dark Red



# Armrest

## Straight



## Curved



# Simple Controls

## Joystick

The Flow2 is operated with one touch, using a simple joystick.



## Call Park

Remote control units at the top and bottom of the stairs are used to call your lift and to send it to a parking point when not in use.



## Call Device

For added comfort and reassurance, you can choose to have a call device fitted on your stairlift.

The Flow2 call device allows you to make and receive telephone calls via your home landline, ensuring that family and friends are always nearby with just one touch of a button.



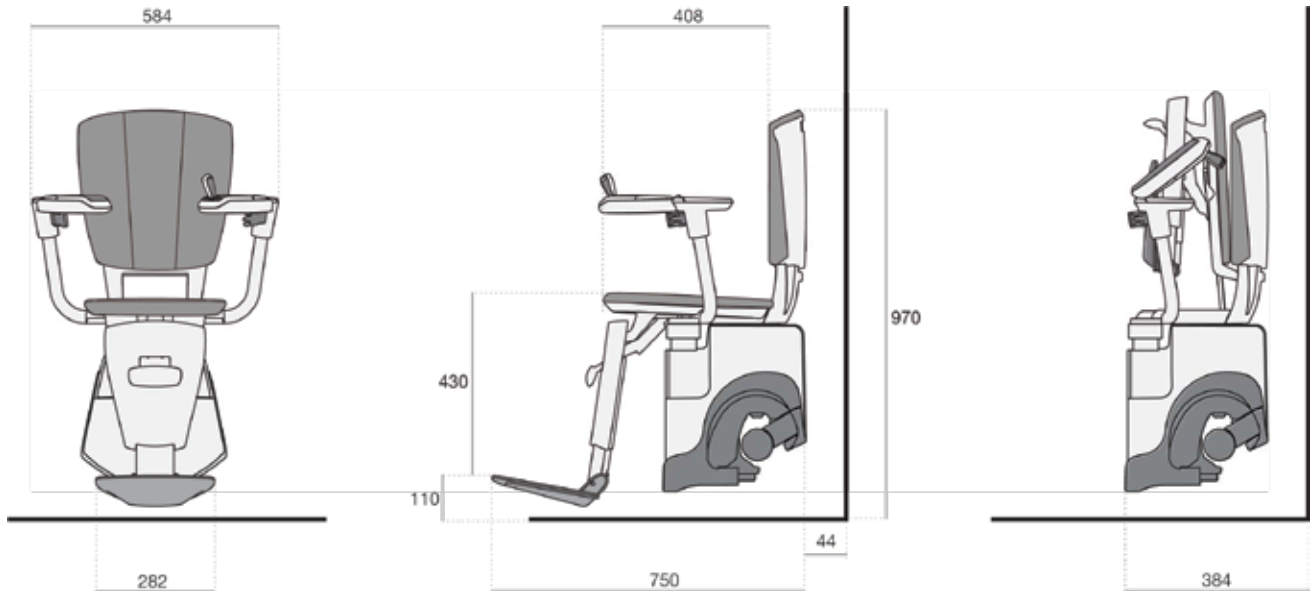


The Flow2 stairlift can be installed on staircases as narrow as 610 mm and as steep as 70° and can have a maximum rail length of 34 m.



# Technical Specification

## CERTIFIED TO THE HIGHEST STANDARDS



### Specification

<b>Speed:</b>	Max 0.15 m/s
<b>Drive Type:</b>	Rack and pinion
<b>Motor Wattage:</b>	350 W – Drive Motor 350 W – Horizontal Motor
<b>Weight Capacity:</b>	125 kg
<b>Batteries:</b>	2 x 12 V batteries; total 24V
<b>Operation:</b>	Joystick control as standard
<b>Staircase Incline:</b>	Up to 70°
<b>Certification:</b>	Machine Directive 2006/42/EG BS EN 81-40
<b>Automatic Stop:</b>	Yes
<b>Footrest:</b>	Yes
<b>Retractable Safety Belt:</b>	Yes

# Access. Everywhere. For Everyone.

## ABOUT ACCESS BDD

When you choose an Access BDD product, you're choosing the best in comfort and quality, with superior customer support throughout the life of your stairlift.

Access BDD is a division of thyssenkrupp Access Ltd. We give people around the world the ability to move comfortably around buildings by providing stairlifts, platform lifts and home lifts, which we distribute via a network of carefully chosen business partners. When you choose an Access BDD lift, you're choosing a high-quality product, supported by expert service and advice.

Our partners are all specialists in mobility or elevator products, and they receive extensive technical and commercial training on our products. Your Access BDD partner will guide you through the product options to help you choose a lift that meets your own needs and suits your surroundings.

Our products are designed for easy installation and maintenance, with everything taken care of by your Access BDD approved partner.



It's nice to deal with a supplier like Access BDD. One who cares and goes the extra mile to ensure we are being looked after, which in turn means we can look after our customers."

### When you choose an Access BDD product, you're choosing:

- Industry leading company with a wealth of experience
- Safety and reliability
- Technological innovation



Since 1976, we've been simplifying complex choices to help people move around their homes





Your local Access BDD dealer is:

