


access
business development division

HomeGlide Stairlifts

FOR STRAIGHT STAIRCASES



Access. Everywhere. For Everyone.

HomeGlide Stairlift

FOR STRAIGHT STAIRCASES

The HomeGlide stairlift range delivers a solution for all straight staircase requirements and budgets. The HomeGlide and HomeGlide Extra are fitted onto your staircase and not your wall. This allows the lift to be installed quickly, easily and with minimal disruption to your home.

It is designed to glide effortlessly along an aluminium track, providing an attractive, elegant and discreet addition to your home. Built using the latest technology, the HomeGlide stairlift range can be fitted to almost all straight staircases as narrow as 740 mm.

1 It's all about you

The thick and luxurious padding ensures a firm and comfortable seat. The sisal colour of the upholstery is a neutral tone which will fit in every household. The upholstery is also fire retardant, liquid repellent and easy to clean. The HomeGlide is operated with an easy to use joystick which can also be removed to prevent unauthorised usage.

2 Compact and Discreet

The HomeGlide's design is simple, sturdy and above all satisfies your accessibility requirements. Remote control handsets allow the HomeGlide to park at either the top or bottom of the staircase, wherever is the most convenient for you. When not in use the HomeGlide is folded away to only 380 mm on any landing, out of the way of any other staircase users.

3 Safety

Your safety is of paramount importance to us. The HomeGlide stairlift is certified to machine directive 2006/42/EG and BS EN 81-40. If the lift encounters an obstacle it will safely come to a stop as a result of special safety edges on the drive unit. The stairlift is battery operated, which means you can still use it during a power cut.





The HomeGlide's aluminium rail has a slim design giving a modern and clean look.



I just love my HomeGlide stairlift! I had real difficulties climbing the stairs, but now I just sit in comfort on the stairlift, no more problems."



Standard Options

IT'S ALL ABOUT YOU

When you choose a HomeGlide stairlift you ensure an ideal solution for your staircase. With a smooth aluminium track, this stairlift can be fitted to almost any straight staircase.



Automatic Powered Hinge

If you have an obstruction at the foot of the staircase you can choose to have an automatic powered hinge installed. Once you have used the stairlift it will return to the top of the stairs and the lower section of the rail will fold away, leaving the bottom of your staircase clear.



Your Safety

A retractable seat belt keeps you secure while using your HomeGlide stairlift.

Move between all levels of your home with maximum comfort and safety.





HomeGlide Extra Stairlift

AN ARRAY OF OPTIONS AND ENHANCEMENTS

Choosing to have the HomeGlide Extra means you receive all of the features and benefits of the HomeGlide with further options and upholstery selections to ensure the perfect fit in your home.

The HomeGlide Extra proves to be the ultimate marriage of elegant design and hi-tech functionality for any straight staircase.

Linked footrest

As standard, the HomeGlide Extra comes with a linked footrest. This feature makes it almost effortless when unfolding the chair as the footrest is linked to the seat.

Ergonomically-shaped seat

Designed with ergonomic experts the HomeGlide Extra uses a seat which positively influences your posture while offering maximum comfort.

There are four different seat heights to choose from providing you with the most comfortable seating position possible.



A world of choice

As well as the quality enhancements that come as standard with the HomeGlide Extra, there are a number of options available which include a wide array of upholstery colours. Choose from fabric and vinyl seat covers to match the style of your home and décor.

Powered Swivel Seat

The HomeGlide Extra comes with a manual swivel seat as standard. Upgrading to the powered swivel seat allows you to turn the chair easily at the top or bottom landing by maintaining pressure on the joystick. This allows a safe exit from the chair as the lift automatically rotates away from the open staircase.



The footrest lies just 97 mm from the floor, making getting on and off the seat as easy as possible.



HomeGlide Extra Options

EVEN MORE CHOICE

With an added choice of upholstery and functionality options, HomeGlide Extra is an elegant and attractive addition to your home.

Upholstery

Vinyl:



Red



Grey



Maroon



Sisal

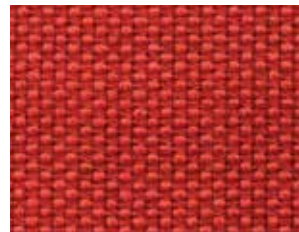
Fabric:



Dark Brown



Beige



Red



Choose from fabric and vinyl seat covers to match the style of your home.



HomeGlide Outdoor

ACCESSIBILITY ALL YEAR ROUND

With the IP-55 rated HomeGlide Outdoor model, you can enjoy outdoor accessibility whatever the weather.

The HomeGlide Outdoor has successfully passed a range of industry accepted corrosion, rain protection and climate testing to ensure reliability and performance, and has specially treated components to provide you with a stairlift that can be used at any time of the year.

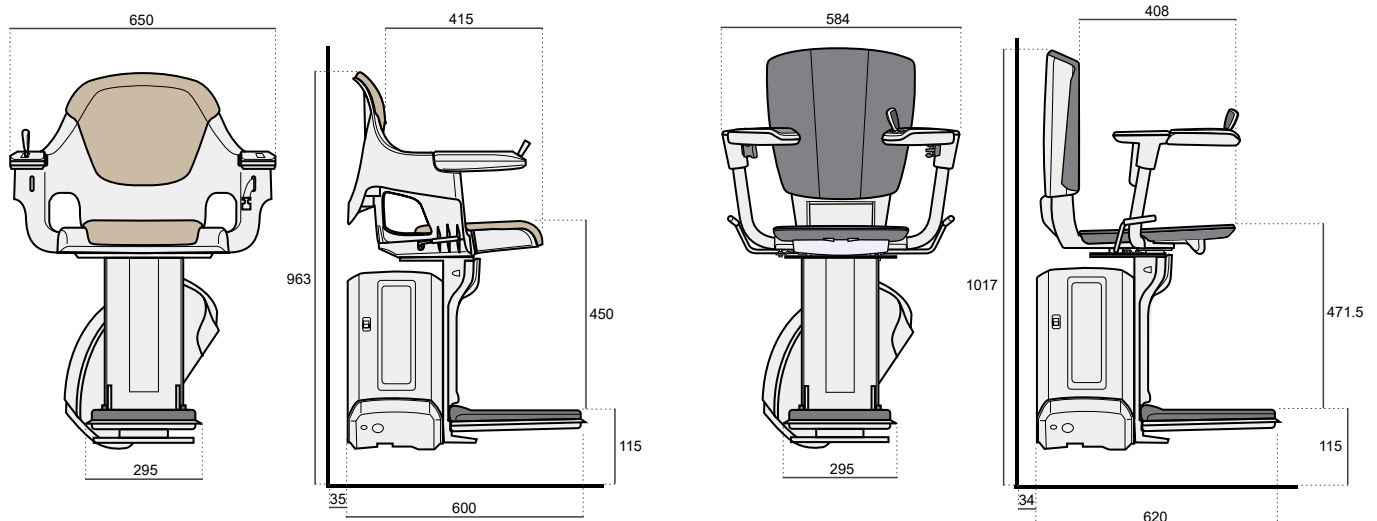


HomeGlide Outdoor Features

- Weatherproof coating on all exposed parts of the lift to protect against rain, dust and direct sunlight.
- A key switch keeps your lift secure against unauthorised use.
- On/off switch and joystick control are sealed in plastic to protect against water and dust.
- A cover is provided to give additional protection to the lift when not in use.
- Suitable for use in temperatures from -10°C to +60°C.

Technical Specification

CERTIFIED TO THE HIGHEST STANDARDS



Specification

Speed:	Max 0.12 m/s
Drive Type:	Rack and pinion
Motor Wattage:	280 W
Weight Capacity:	Max 146 kg (Outdoor version 125 kg)
Batteries:	2 x 12V batteries; total 24V
Operation:	Joystick control as standard
Staircase Incline:	28° up to 53° (or up to 45° for use in 125 - 146 kg range)
Certification:	Machine Directive 2006/42/EG BS EN 81-40
Automatic Stop:	Yes
Footrest:	Yes
Retractable Safety Belt:	Yes

Access. Everywhere. For Everyone.

ABOUT ACCESS BDD

When you choose an Access BDD product, you're choosing the best in comfort and quality, with superior customer support throughout the life of your stairlift.

Access BDD is a division of thyssenkrupp Access Ltd. We give people around the world the ability to move comfortably around buildings by providing stairlifts, platform lifts and home lifts, which we distribute via a network of carefully chosen business partners. When you choose an Access BDD lift, you're choosing a high-quality product, supported by expert service and advice.

Our partners are all specialists in mobility or elevator products, and they receive extensive technical and commercial training on our products. Your Access BDD partner will guide you through the product options to help you choose a lift that meets your own needs and suits your surroundings.

Our products are designed for easy installation and maintenance, with everything taken care of by your Access BDD approved partner.



The HomeGlide is the perfect solution for any straight staircase. I was able to install the stairlift within just a few hours – the customer was over the moon.”

When you choose an Access BDD product, you're choosing:

- Industry leading company with a wealth of experience
- Safety and reliability
- Technological innovation



Since 1976, we've been simplifying complex choices to help people move around their homes



Your local Access BDD dealer is:

