



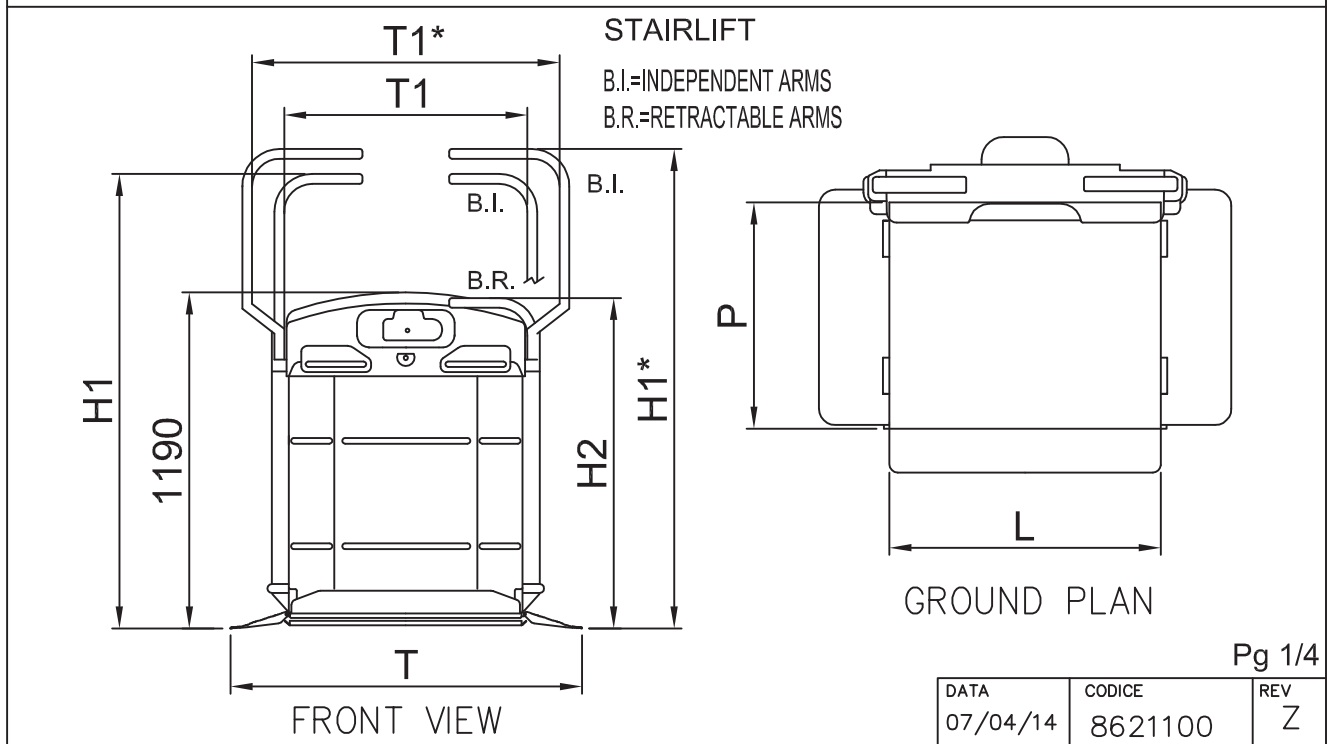
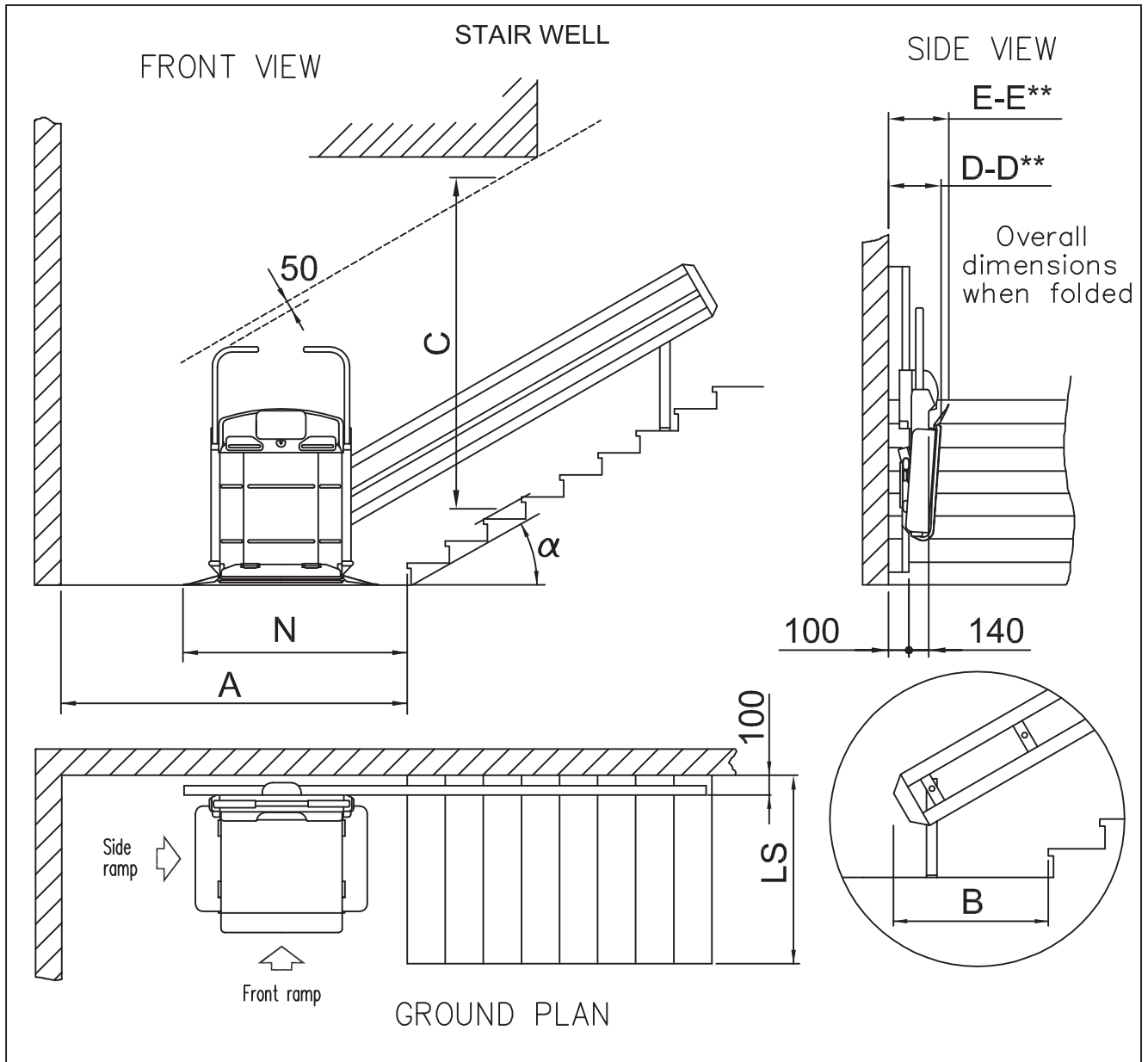
Vimec V64 Technical Data

IMPORTANT WARNING

Please note that the information contained in the following pages is supplied by one of our overseas manufacturer's and does not include Australian requirements for the determination of minimum platform size and additional clearances required under AS1735 (The Australian Lift Code), the Disability (Access to Premises - Buildings) Standards 2010, and BCA. Please ensure you allow for these requirements in addition to the information contained in the following pages, or call us for assistance. Any information contained in this document can change without notice, so before relying on any information contained herein, or other sources, you should obtain written confirmation and a quotation from AussieGlide.

PROVIDING INDEPENDENCE & ACCESS

245 Bruce Crescent, Wallarah NSW 2259
Coastline Contracting Australia Pty Ltd T/A AussieGlide Stairlifts ABN 52 622 579 855



| VARIABLES | V64 B.I. | | | | | | |
|------------|-----------|-----------|-----------|-----------|-----------|-----------|-----------|
| L Width | 830 | 830 | 830 | 1050 | 1050 | 1050 | 1250 |
| P Depth | 650 | 700 | 770 | 700 | 770 | 900 | 800 |
| H1-H1* | 1710 | 1760 | 1830 | 1760 | 1830 | 1960 | 1900* |
| T | 1240 | 1240 | 1240 | 1460 | 1460 | 1460 | 1660 |
| T1-T1* | 870 | 870 | 870 | 1070 | 1070 | 1070 | 1260* |
| B | 1310 | 1310 | 1310 | 1420 | 1420 | 1420 | 1520 |
| N | 1500 | 1500 | 1500 | 1720 | 1720 | 1720 | 1920 |
| D-D** | 395/405** | 395/405** | 395/395** | 395/405** | 395/395** | 425/425** | 395/395** |
| E-E** | 440/450** | 440/450** | 440/450** | 440/450** | 440/450** | 440/450** | 440/450** |

| | | | |
|---|---------------------------------------|-----|---|
| B | Guide rail dimensions, bottom landing | D** | Dimensions of seat plus fixed front guard |
| N | Machine dimensions, bottom landing | E | Dimensions with front slop |
| D | Dimensions with fixed front guard | E** | Dimensions of seat plus front slop |

| VARIABLES | V64 B.I. | | | | | | |
|--------------------------------|----------------|----------------|----------------|-----------------|-----------------|-----------------|-----------------|
| | (830 650) | (830 700) | (830 770) | (1050 700) | (1050 770) | (1050 900) | (1250 800) |
| A Side ramp | 2550 | 2550 | 2550 | 2750 | 2750 | 2750 | 2950 |
| A Front ramp | 1550 | 1550 | 1550 | 1750 | 1750 | 1750 | 1950 |
| LS Side ramp | 920 | 970 | 1040 | 970 | 1040 | 1170 | 1070 |
| LS Fixed front ramp | 1135 | 1185 | 1255 | 1185 | 1255 | 1385 | 1290 |
| LS Powered front ramp | 955 | 1005 | 1075 | 1005 | 1075 | 1205 | 1105 |
| C Vertical arms (rest) | 2260 | 2310 | 2380 | 2430 | 2500 | 2630 | 2590 |
| C Horizontal arms (working) | 1725 | 1725 | 1725 | 1840 | 1840 | 1840 | 1890 |

| | | | | |
|----|----------------------|------------------|-------------------|----------|
| A | Minimum landing area | Pg 2/4 | | |
| LS | Staircase width | DATA 07/04/14 | CODICE 8621100 | REV Z |

Dimensions "A-LS-C" are referred to a regular staircase with a slope of 30°. Data are indicative, not binding
 The Company reserves the right to undertake all necessary modification without prior notification.

| VARIABLES | V64 B.R. | | | | | | |
|------------|-----------|-----------|-----------|-----------|-----------|-----------|-----------|
| L Width | 830 | 830 | 830 | 830 | 1050 | 1050 | 1050 |
| P Depth | 600 | 650 | 700 | 770 | 700 | 770 | 900 |
| H1 | 1500 | 1550 | 1600 | 1670 | 1600 | 1670 | 1800 |
| H2 | 1120 | 1120 | 1120 | 1120 | 1120 | 1120 | 1250 |
| T | 1240 | 1240 | 1240 | 1240 | 1460 | 1460 | 1460 |
| T1 | 860 | 860 | 860 | 860 | 1060 | 1060 | 1060 |
| B | 1310 | 1310 | 1310 | 1310 | 1420 | 1420 | 1420 |
| N | 1500 | 1500 | 1500 | 1500 | 1720 | 1720 | 1720 |
| D—D** | 395/405** | 395/405** | 395/405** | 395/395** | 395/405** | 395/395** | 425/425** |
| E—E** | 440/450** | 440/450** | 440/450** | 440/450** | 440/450** | 440/450** | 440/450** |

| | | | |
|---|---------------------------------------|-----|---|
| B | Guide rail dimensions, bottom landing | D** | Dimensions of seat plus fixed front guard |
| N | Machine dimensions, bottom landing | E | Dimensions with front slop |
| D | Dimensions with fixed front guard | E** | Dimensions of seat plus front slop |

| VARIABLES | V64 B.R. | | | | | | |
|--------------------------------|----------------|----------------|----------------|----------------|-----------------|-----------------|-----------------|
| | (830 600) | (830 650) | (830 700) | (830 770) | (1050 700) | (1050 770) | (1050 900) |
| A Side ramp | 2550 | 2550 | 2550 | 2550 | 2750 | 2750 | 2750 |
| A Front ramp | 1550 | 1550 | 1550 | 1550 | 1750 | 1750 | 1750 |
| LS Side ramp | 870 | 920 | 970 | 1040 | 970 | 1040 | 1170 |
| LS Fixed front ramp | 1085 | 1135 | 1185 | 1255 | 1185 | 1255 | 1385 |
| LS Powered front ramp | 905 | 955 | 1005 | 1075 | 1005 | 1075 | 1205 |
| C Vertical arms (rest) | 1725 | 1725 | 1725 | 1725 | 1780 | 1780 | 1910 |
| C Horizontal arms (working) | 1725 | 1725 | 1725 | 1725 | 1780 | 1780 | 1780 |

| | | | | |
|----|----------------------|------------------|-------------------|----------|
| A | Minimum landing area | Pg 3/4 | | |
| LS | Staircase width | DATA 07/04/14 | CODICE 8621100 | REV Z |

Dimensions "A-LS-C" are referred to a regular staircase with a slope of 30°. Data are indicative, not binding
 The Company reserves the right to undertake all necessary modification without prior notification.

| VARIABLES | V64 B.I.-B.R. | | | | | | | |
|-------------------------|---------------|---------|---------|---------|---------|---------|---------|---------------------------|
| L Width | 830 | 830 | 830 | 830 | 1050 | 1050 | 1050 | 1250 |
| P Depth | 600 | 650 | 700 | 770 | 700 | 770 | 900 | 800 |
| Rated Load up to 45° | 300 daN | 300 daN | 300 daN | 300 daN | 300 daN | 300 daN | 250 daN | 250 230 daN |
| Rated Load over 45° | 200 daN | 200 daN | 200 daN | 200 daN | 200 daN | 200 daN | 200 daN | 200 daN |

| | | |
|----------|---------|-----|
| DATA | CODICE | REV |
| 07/04/14 | 8621100 | Z |

TECHNICAL FEATURES

| | | | | |
|--------------|---------------|-------------------|-----------|-------------|
| Voltage | Motor Voltage | Auxiliary voltage | Power | Speed |
| 230 [V-mon.] | 24 [V-cc] | 230 [V-mon.] | 0.75 [KW] | [5 m/min.] |

Dimensions "A-LS-C" are referred to a regular staircase with a slope of 30°. Data are indicative, not binding
 The Company reserves the right to undertake all necessary modification without prior notification.